

## ROLLER LINEAR SYSTEM

### Sheet iron LAZ, LAX rails and PAZ, PAX sliders



#### LAZ series rails

LAZ series rails and PAZ series sliders are dimensionally identical to the LAX and PAX Series but are much lower in cost because they are made of Zinc plated steel.

The LA series is a simple and functional solution for linear motion. The minimum space requirements, internal protected raceways, ease of assembly, and good load capacity makes this linear bearing system an excellent choice compared to other solutions available on the market.

#### LAX series rails

LAX series rails and PAX series sliders are constructed entirely of stainless steel and are a simple and functional solution for applications that require high corrosion resistance.

The rails and sliders bodies are made from 300 Series stainless steel with rollers made from 440C.

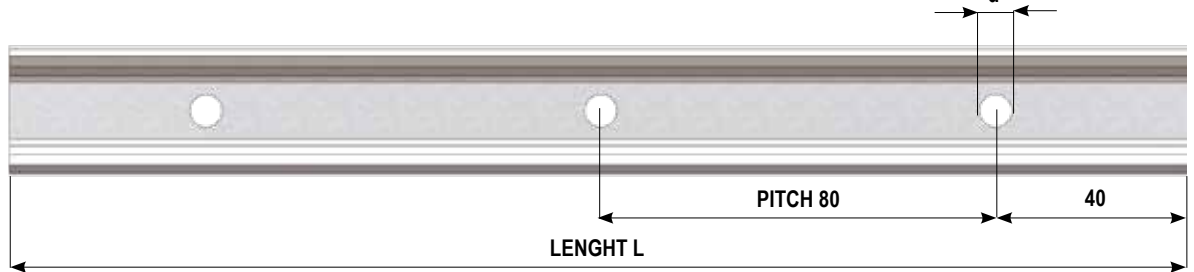
These are particularly suitable for food processing, pharmaceutical, and medical applications or in difficult environments such as marine environments where there is exposure to highly corrosive agents.

The slider is equipped with 3 rollers. The middle roller is eccentric and is used to adjust the slider preload.

Length L (mm)	
LAZ 26	LAZ 40
LAX 26	LAX 40
160	
240	
320	320
400	400
480	480
560	560
640	640
720	720
800	800
880	880
960	960
1040	1040
1120	1120
1200	1200
1280	1280
1360	1360
1440	1440
1520	1520
1600	1600
1680	1680
1760	1760
1840	1840
1920	1920
2000	2000
2080	2080
2160	2160
2240	2240
2320	2320
2400	2400
2480	2480
2560	2560
2640	2640
2720	2720
2800	2800
2880	2880
2960	2960
3040	3040
3120	3120
3200	3200
3280	3280
3360	3360
3440	3440
3520	3520
3600	3600
3680	3680
3760	3760
3840	3840
3920	3920
4000	4000

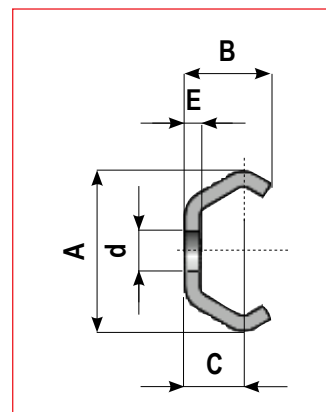
## LAZ and LAX sheet iron rails

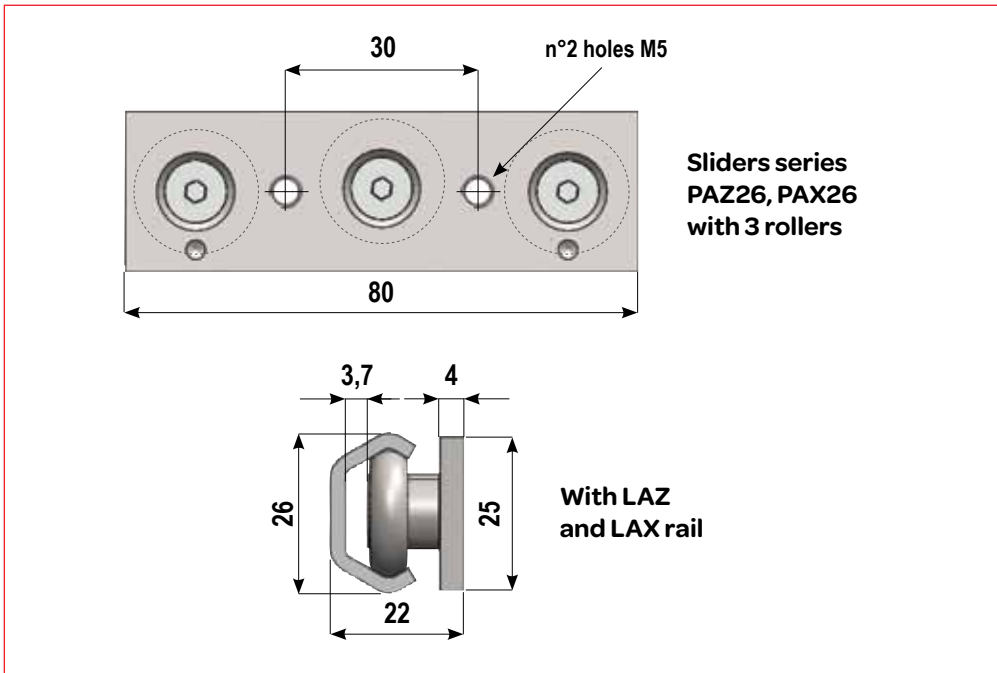
Linear rail dimensions



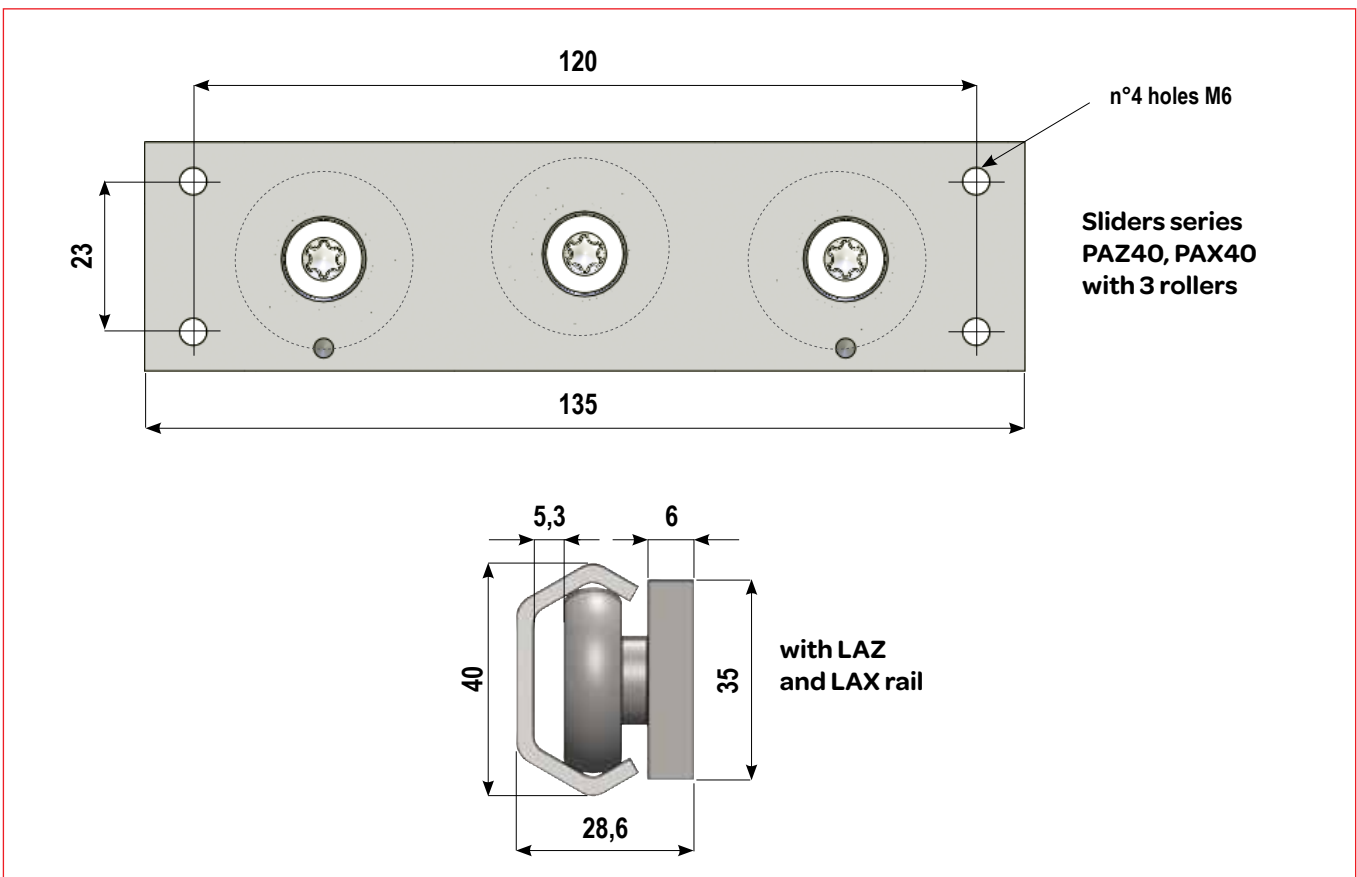
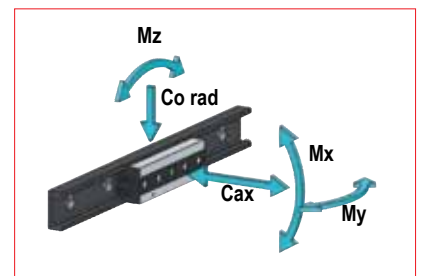
Rail code	A (mm)	B (mm)	C (mm)	d (mm)	E (mm)	Fixing screws	Weight (kg)
LAZ 26	26	14	9,5	6,5	2,5	M5 - ISO 7380	0,67
LAX 26							
LAZ 40	40	21,3	13,3	9	3	M8 - ISO 7380	1,55
LAX 40							

Suitable fixing screws of type ISO 7380

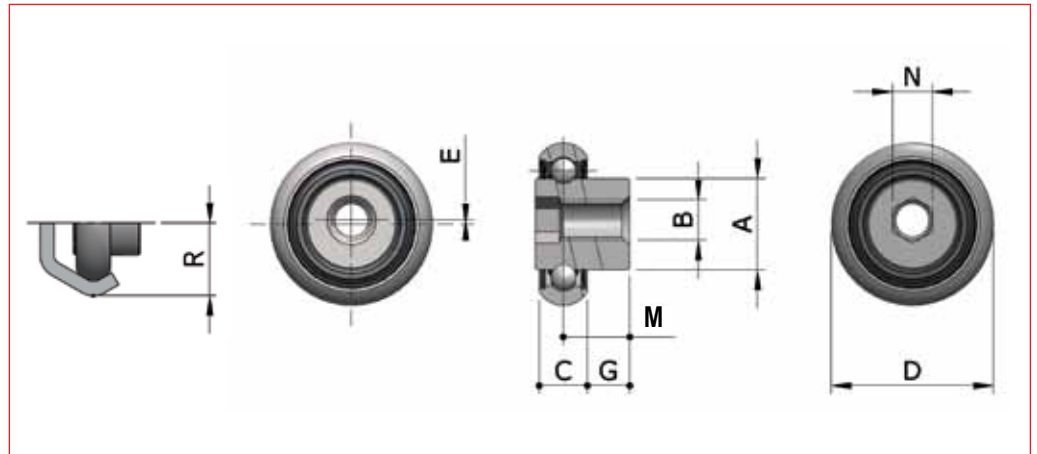




Code	Co rad (N)	Co ax (N)	Mx (Nm)	My (Nm)	Mz (Nm)	Weight (g)
PAZ26 PAX26	800	400	3	9	12	100



Code	Co rad (N)	Co ax (N)	Mx (Nm)	My (Nm)	Mz (Nm)	Weight (g)
PAZ40 PAX40	1600	800	9	23	32	430



The rollers series P.. Are also available in stainless steel INOX AISI440 hardened steel for corrosive ambients.

The INOX rollers comes with 2RS seals and lubricated for life with mineral oil for alimentary application or low temperature applications.

Roller code	Type	E (mm)	D (mm)	C (mm)	M (mm)	G (mm)	N Flat key	A (mm)	B (mm)	R (mm)	For rail	Dynamic coeff. C (N)	Load capacity (N)		Weight (g)
													Co rad	Co ax	
PCZ26	concentric	0	20,3	6	8,5	5,5	Allen key 3	11,2	M5	13	LAZ26	900	400	148	10
PEZ26	eccentric	0,6													
PCX26	concentric	0													
PEX26	eccentric	0,6													
PCZ40	concentric	0	32	10	9,65	4,65	Allen key 5	15,0	M6	19,6	LAZ40	1800	800	296	40
PEZ40	eccentric	0,8													
PCX40	concentric	0													
PEX40	eccentric	0,8													